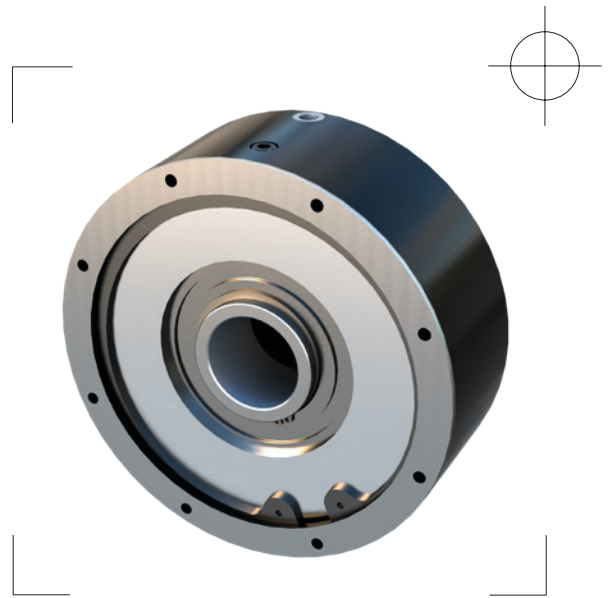


I300 High Torque Zero Backlash Brake

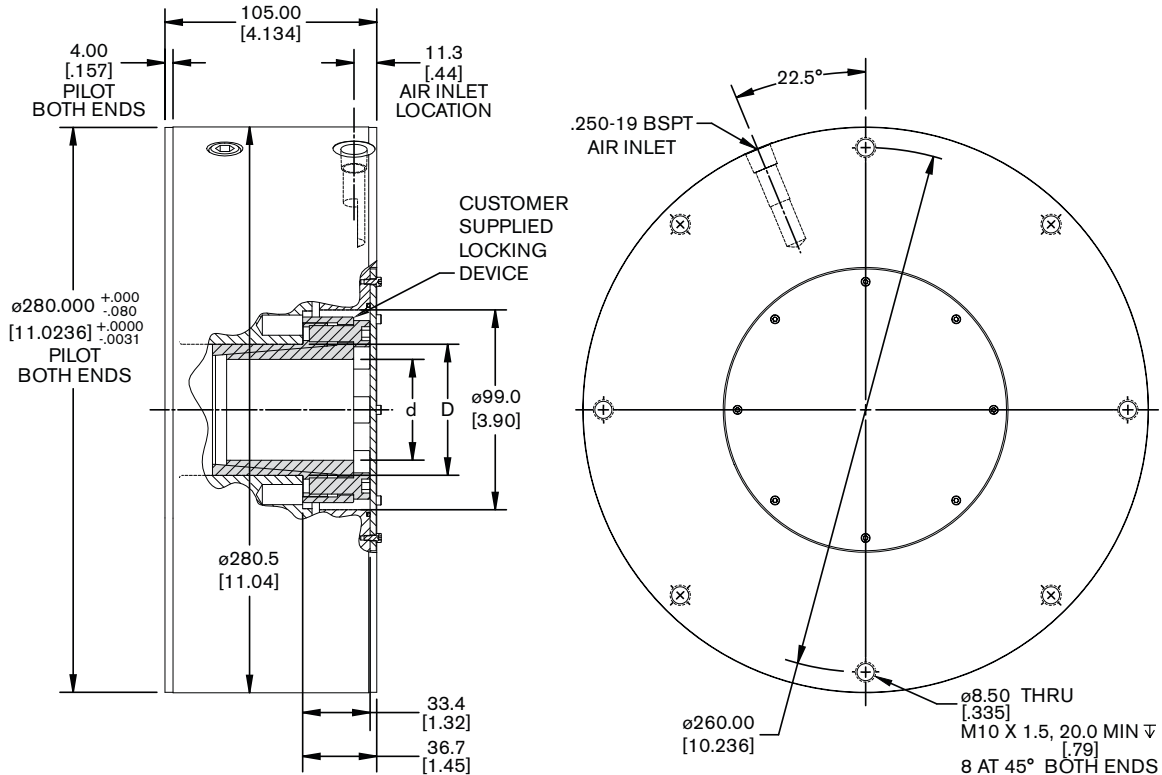
Nexen's I300 brake is designed for zero backlash holding and emergency stopping making it ideal for indexers and positioning systems. The spring engaged, air released, patented braking element locks and holds the shaft in position without any displacement or reversing of the load. It is flange or shaft mounted and has a keyless compression bushing shaft connection for easy installation and IP67 rated when flange mounted. High torque and short response time ensure the shortest possible stopping distance and precise holding. Brakes can be stacked for additional holding power or redundant braking.



Features

- Zero backlash
- Torque up to 500 Nm [4425 in-lbs]
- No shaft rotation due to brake actuation
- Shaft end or through shaft mounting
- Capable of 2000 RPM
- Spring engaged, air released
- Releases at 4.1 Bar [60 psi]
- Stackable for higher holding power or redundancy
- IP67 rated

Dimensions



Product Specifications

Rated Brake Torque: 400 Nm [3540 in-lbs] @ 4.1 Bar (60 psi) Release
500 Nm [4425 in-lbs] @ 5.5 Bar (80 psi) Release

Backlash: Zero with keyless locking device

Release Pressure: 4.1 Bar [60 psi]

Torsional Rigidity: 8,341,000 Nm/rad [6,152,000 ftlb/rad]

Rotational Inertia: 0.0212 kgm² [0.502 lbf²]

Dynamic Capability: E-stops allowed, no cyclic dynamic stopping allowed

Engagement Response Time: 85 ms

Ratings: IP67 when end mounted and sealed to the machine frame

Service Life: 1 million holding cycles, dynamic stops application dependent

Temperature Range: 4 to 100° C [40 to 200° F]

Construction: Cast iron housing, steel locking device access cover, black paint

Suggested Customer Supplied Locking Devices	
Brand	Model
B-LOC	B800
Climax Metal	170 Series
Gerwah Peter	PSV 2010.1
KTR Clampex	KTR 250
Lovejoy SLD	SLD 1900
Ringfeder	RfN 7110
Ringspann	RLK 110
Tollok	TLK 110
US Tsubaki	PL TF

Brake Product Number	Brake Bore (D)	Locking Device Bore (d) ⁽¹⁾
965500	65.00 mm [2.559 in.]	50.00 mm [1.969 in.]
965501	72.00 mm [2.835 in.]	Compomac, Midas #7237 ⁽²⁾
965502 ⁽³⁾ 965509 ⁽³⁾	65.00 mm ⁽³⁾ [2.559 in.]	50.00 mm ⁽³⁾ [1.969 in.]
965503	71.00 mm [2.795 in.]	55.00 mm [2.165 in.]

Specify locking device size **65 mm x 50 mm** for I-300 #965500
Specify locking device size **71 mm x 55 mm** for I-300 #965503

⁽¹⁾ Manufacturer of shaft must contact specific locking device supplier for shaft dimensions and tolerances

⁽²⁾ Compomac "Midas" #7237 locking device, bore sizes: 28, 30, 32, 35, 38, 40, 42, 45, 48, 50, 55 and 60 mm

⁽³⁾ Brake hub is bored and keyed, locking device not required

nexen

Nexen Group, Inc.
560 Oak Grove Parkway
Vadnais Heights, MN 55127

(800) 843-7445
Fax: (651) 286-1099
www.nexengroup.com

Nexen has sales offices throughout the United States, Europe, Japan, and Australia.

Form No. L-21243-F-0618