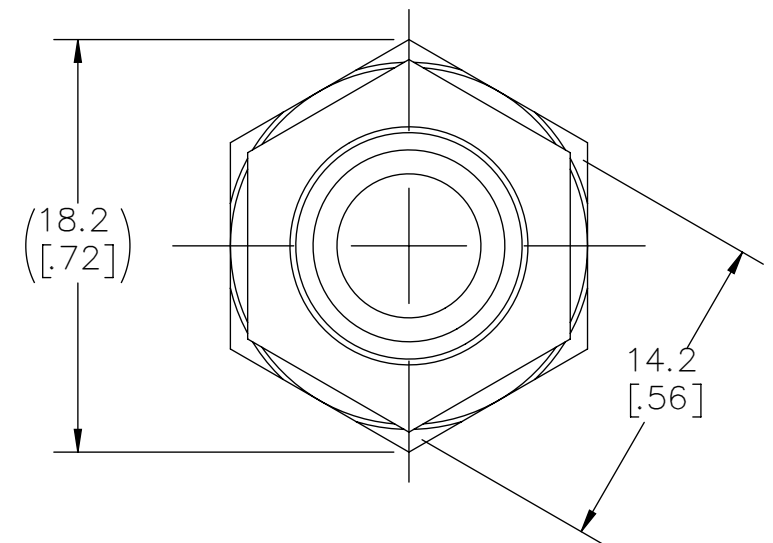
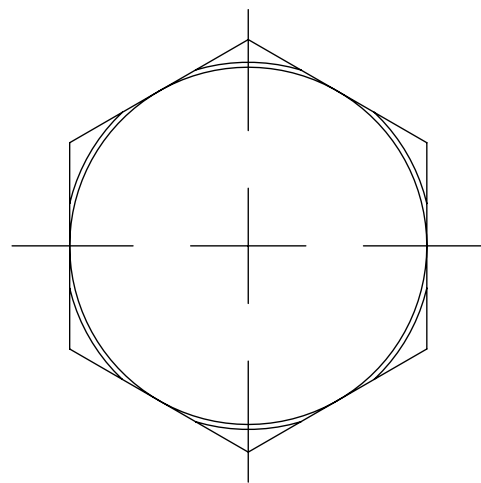
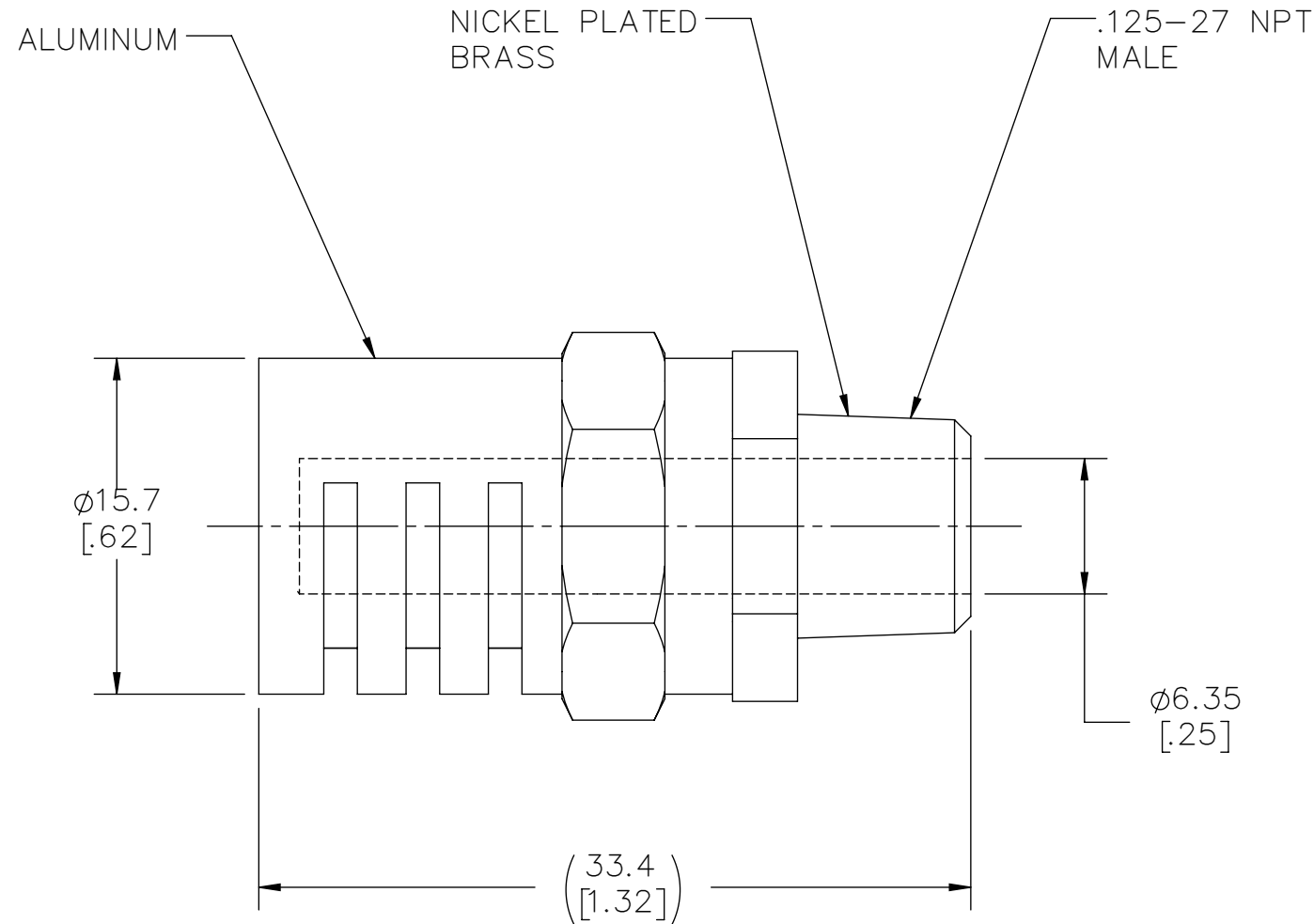
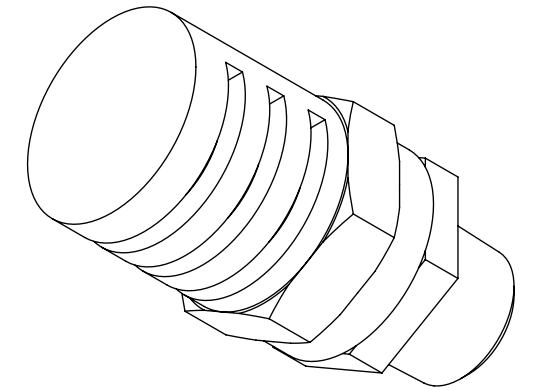


B-939300_REF

MASS: .018 KG
[.04 LB]



GEOMETRIC TOLERANCE VALUES	
MM	INCH
.013	.0005
.03	.001
.05	.002
.08	.003
.13	.005
.20	.008
.25	.010
.38	.015

THIRD ANGLE PROJECTION	
SURFACE ROUGHNESS VALUES	
μm	μin
6.3	250
3.2	125
1.6	63
0.8	32
0.4	16
0.2	8

UNLESS OTHERWISE SPECIFIED

1. METRIC TOLERANCES: X ± 0.8 ; .X ± 0.5 ; .XX ± 0.13
INCH TOLERANCES: .XX ± 0.02 ; .XXX ± 0.005
2. ANGLES $\pm 5^\circ$
3. PRIMARY DIMENSIONS ARE IN MM
SECONDARY DIMENSIONS ARE IN INCHES
4. DO NOT SCALE DWG - WORK TO DIMS
5. PRODUCT MUST CONFORM TO ENGINEERING STANDARD WORK INSTRUCTIONS

nexen Nexen Group, Inc.

TITLE GENERAL DIMENSIONS

MODEL MUFFLER,EXHAUST*.125 NPT

			N/A	
			ERO	ECO
				DATE
DWN	TGH	DATE	SCALE: 3:1	<input checked="" type="checkbox"/> SHEET 1 OF 1
CHKD		DATE	B-939300_REF	
APVD		DATE	REV 1	