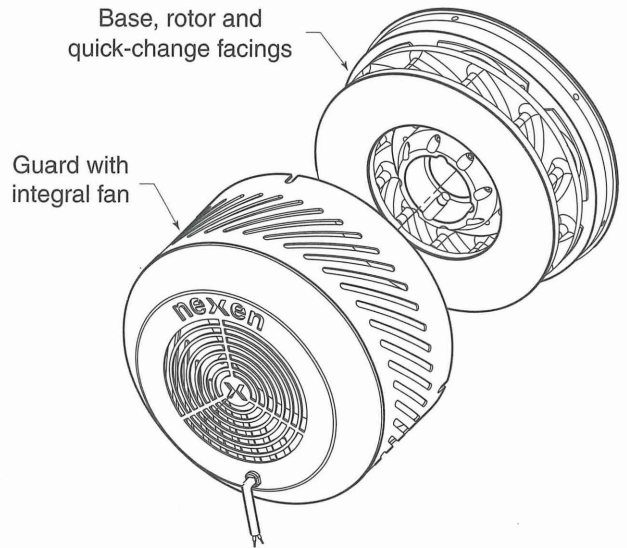


BTB TENSION CONTROL BRAKES

Designed for shaftless unwind stands and other shaft-end applications



BTB TC Brake

The Nexen BTB tension control brake is ideal for corrugating, labeling, printing and various other web tension control applications.

Designed for mounting on shaftless unwind stands and other shaft-end applications, the BTB includes a built-in fan for the ultimate in heat dissipation.

Designed for ease of assembly and maintenance. The brake comes fully assembled and is installed using a Taper-Lock® bushing and a torque pin.

Featuring quick-change facings, the BTB is the ultimate in economy of space, dissipation of heat, ease of installation, controllability of tension and simplicity of maintenance.

The BTB brake is available in two sizes, BTB 10 and BTB 12.

HIGH THERMAL CAPACITY

Utilizing an integral fan, the BTB 10 maximizes heat dissipation, from 3.5 hp (2.6 kW) at 100 rpm to 3.75 hp (2.8 kW) at 2,000 rpm of continuous thermal capacity.

The BTB 12 provides 4.5 hp (3.4 kW) at 100 rpm and 6.2 hp (4.8 kW) at 2000 rpm.

This high thermal level helps ensure longer life and lower maintenance costs. Fans are available for either 110VAC or 24VDC.

EASY INSTALLATION AND MAINTENANCE

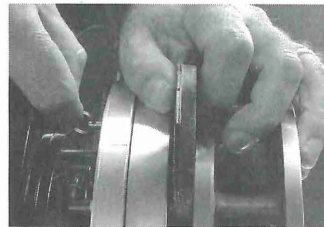
Simple electrical and pneumatic connections. Retrofits both shaft and flange mounted brakes utilizing Taper-Lock bushings.

VERSATILE, PRECISE TENSION CONTROL

The BTB utilizes multiple actuators to achieve different torque ranges across a wide range of applications.

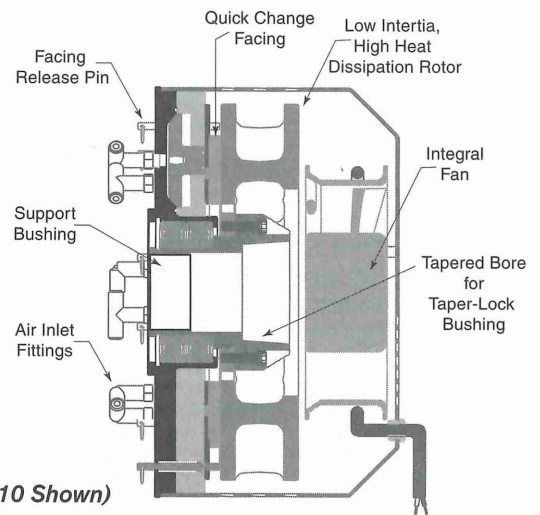
DESIGN SIMPLICITY

The BTB is the model of simplicity. Replacing facings is a simple matter of pulling the spring-loaded locking pin and lifting the facing out.



ADDITIONAL BTB FEATURES

- Pneumatically actuated, bi-directional rotation
- Multiple actuators with quick-change facings
- 2000 rpm maximum speed, (for higher speeds consult Nexen)
- Compact outside diameter (OD)
- Low inertia = 1.69lb/ft², (0,7 Kg^m²) BTB 10, 3.54lb/ft², (0,15 Kg^m²) BTB 12
- Fan-cooled for maximum thermal capacity at any speed
- Shaft-mounted design
- Retrofits both shaft and flange mounted competitive brakes
- 2012 Taper-Lock mounting for shafts up to 2 inches (50 mm) diameter, BTB 10; 2517 Taper-Lock mounting for shafts up to 2.5 inches (64 mm), BTB 12



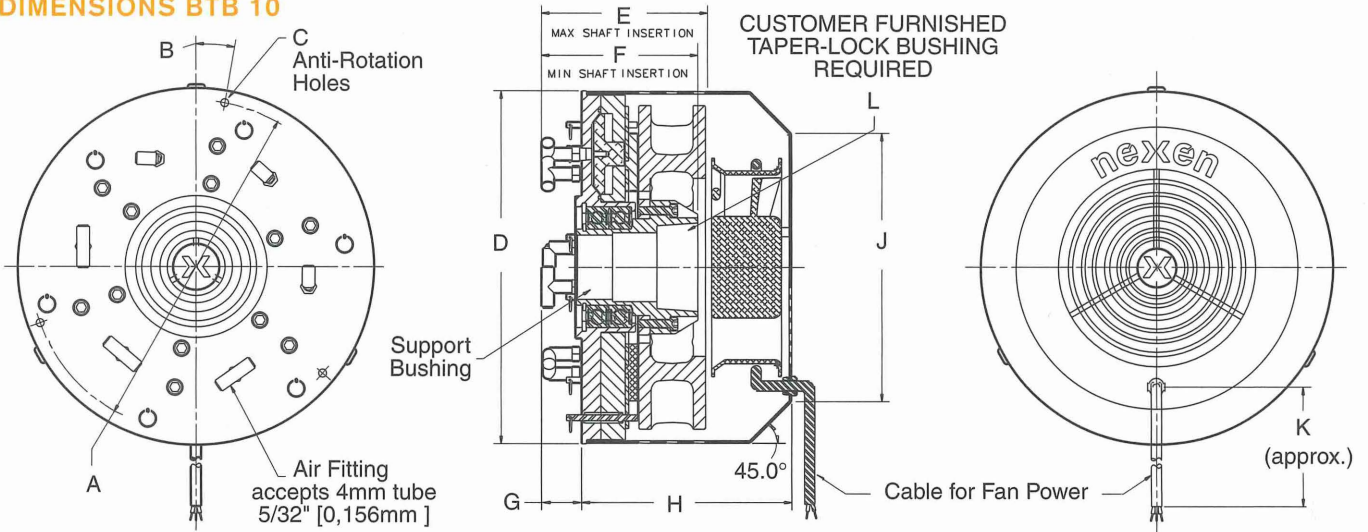
(BTB 10 Shown)

- Diaphragm actuation - no seals to drag or o-rings to stick for improved low-end performance
- Torque control range of 50:1 using multiple actuators
- Simple connections for easy installation: 120 VAC fan (For other voltages consult Nexen) and 80 PSIG (5.5 bar) control air
- Thermal energy is dissipated to the atmosphere, not the machine frame

BTB 10 TENSION CONTROL BRAKE

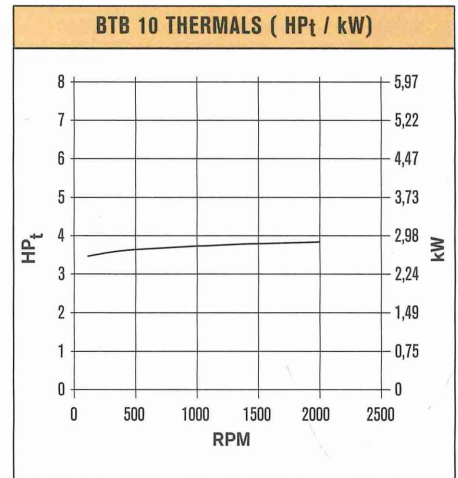
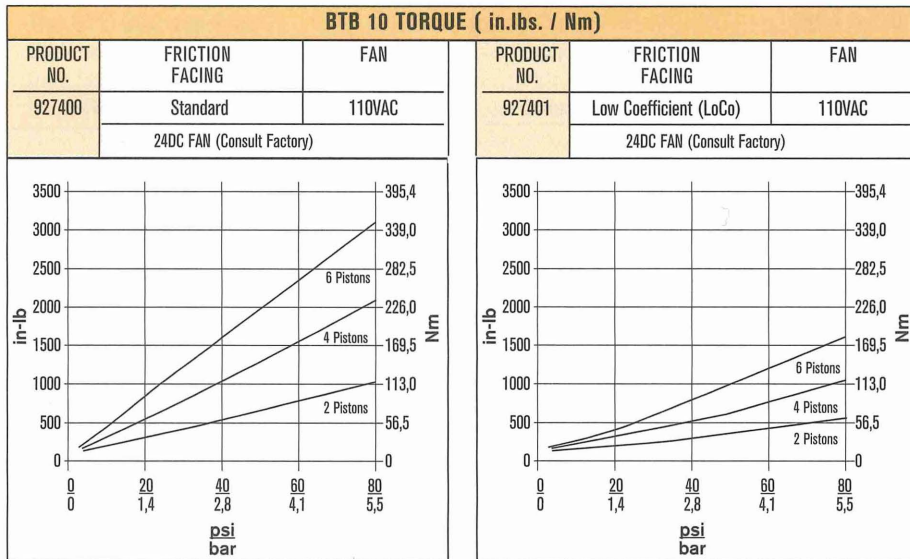
Designed for shaftless unwind stands and other shaft-end applications

DIMENSIONS BTB 10



MODEL	INERTIA	A	B	C	D	E	F	G	H	J	K	L
BTB 10	1.69 lb-ft ² [0,07 Kgm ²]	ø10.24 [ø260,0]	10°	M8-1.15 3 at 120°	ø10.91 [ø277,0]	4.88 [124,1]	4.58 [116,4]	1.00 [25,5]	6.49 [164,8]	ø8.30 [ø210,8]	36.0 [914,4]	#2012

SPECIFICATIONS BTB 10



Note: Rated torque may vary depending on operating conditions. Friction coefficients are nominal

BTB SUPPORT BUSHINGS (Required on shaft sizes under 2 inches [51mm])

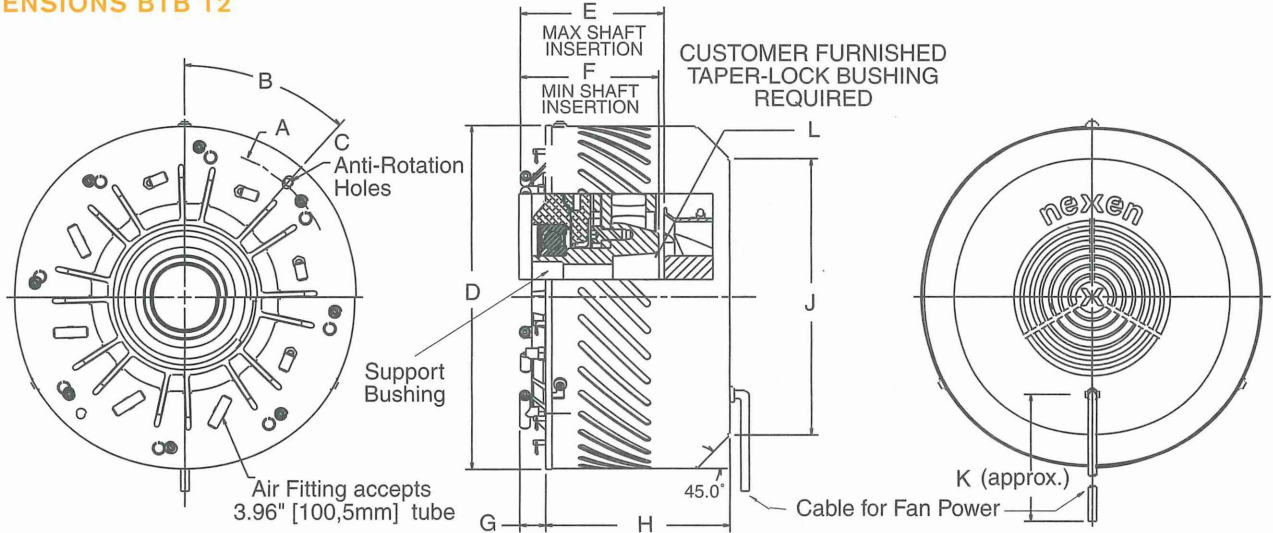
Bushing Size	1.250 in. [31,75]	1.375 in. [34,92]	1.500 in. [38,10]	1.625 in. [41,27]	1.750 in. [44,45]	1.875 in. [47,62]	1.938 in. [49,17]	1.969 in. [50,00]	2 in. [50,80]	2.125 in. [53,97]	Blank / No Bore
BTB 10 BUSHING PART NO.	927410	927411	927412	927413	927414	927415	927416	927417	Not Required	Not Available	927418

Note: 2012 Taper-Lock bushing required – customer supplied. Maximum Bore 2 inches (51mm).

BTB 12 TENSION CONTROL BRAKE

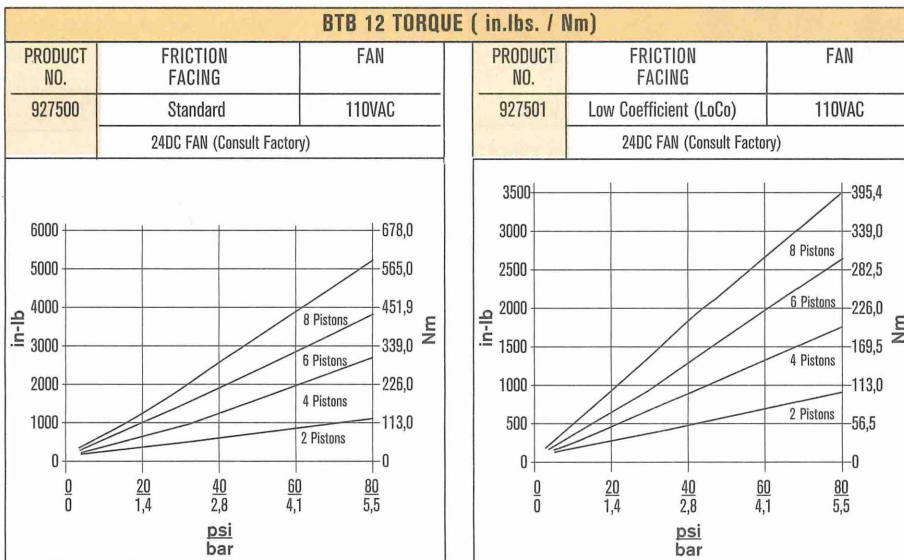
Designed for shaftless unwind stands and other shaft-end applications

DIMENSIONS BTB 12

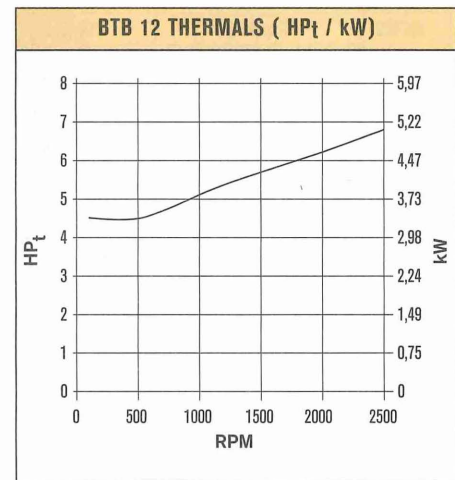


MODEL	INERTIA	A	B	C	D	E	F	G	H	J	K	L
BTB 12	3.6 lb-ft ² [0,15 Kg ^{m2}]	ø11.81 [ø300,0]	42°	M12-1.50 2 holes	ø12.99 [ø330,0]	5.44 [138,2]	5.24 [133,1]	0.98 [25,0]	6.93 [176,1]	ø10.43 [ø264,9]	36.0 [914]	#2517

SPECIFICATIONS BTB 12



Note: Rated torque may vary depending on operating conditions. Friction coefficients are nominal



BTB SUPPORT BUSHINGS (Required on shaft sizes under 2.5 inches [63,5mm])

Bushing Size	1.250 in. [31,75]	1.375 in. [34,92]	1.500 in. [38,10]	1.625 in. [41,27]	1.750 in. [44,45]	1.875 in. [47,62]	1.938 in. [49,17]	1.969 in. [50,00]	2 in. [50,80]	2.125 in. [53,97]	Blank / No Bore
BTB 12 BUSHING PART NO.	927510	927511	927512	927513	927514	927515	927516	927519	927517	927518	927520

Note: 2517 Taper-Lock bushing required – customer supplied. Maximum Bore 2.5 inches (63,5mm) .