

Eclipse® Brakes offer at least 20-50% more torque than competitive brakes.

Standard Electric Servomotor Brake
limited torque capabilities

Static Torque up to 125 Nm



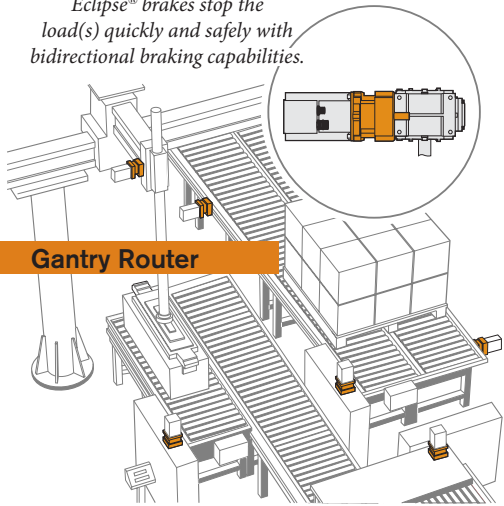
Nexen Eclipse® Servomotor Brakes

Dependable Power Ensures Safety

When it comes to service factor, Nexen believes more is better. More torque and high brake stiffness mean operators and equipment are protected.

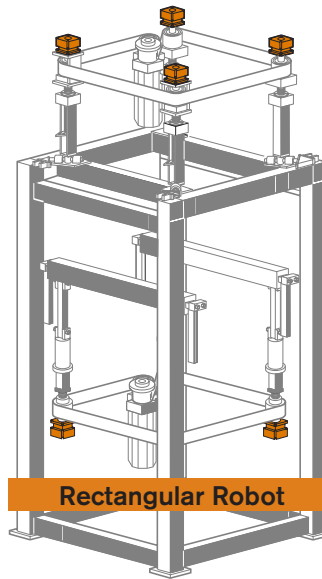
Strong enough to stall a servomotor in continuous torque mode, the high torque ratings on Eclipse® brakes provide fast response with a short stopping distance in emergency situations. In fact, Nexen's servomotor brakes deliver at least 20-50% more torque than competitive brakes.

In emergency stopping situations, Eclipse® brakes stop the load(s) quickly and safely with bidirectional braking capabilities.



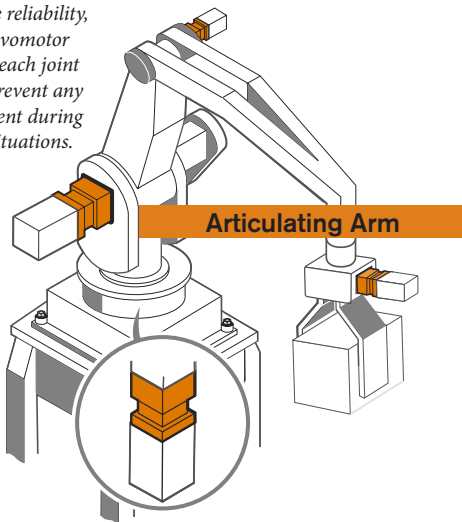
Gantry Router

Able to repeatedly stop and hold in challenging cyclic operations, Nexen Servomotor Brakes also offer a safety feature to this robot: if a belt breaks, the servomotor brake(s) instantly engage to hold the load securely.



Rectangular Robot

With fail-safe reliability, Eclipse® servomotor brakes hold each joint securely to prevent any arm movement during power-off situations.



Articulating Arm

Dynamic Stopping

Medical Devices

Food Production

Automotive Parts

Renewable Energy

Semiconductors

Printing

Paper Converting

CNC Machining

Packaging

Machine Tool

Robotics

Woodworking

Conveying

APPLICATIONS

Precision Holding